

MOORING BUOY

MB-2000



MB-2000-S-60T

Diameter: 2.0m

Volume: 3.1m³

For workboat, large yacht and harbour

A mooring buoy with a polyethylene float requires less maintenance, less logistical resources and offers a longer service life than steel models.

- 2 segments of float in precompounded low density virgin polyethylene, a material that is fully recyclable and does not need anti-fooling coating
- Central structure in steel with approved anti-corrosion system (galvanization, painting, anodes)
- Designed by GISMAN as per user requirements (site conditions, type of vessels...) and mooring calculation in conformance with international standards (DNV and API RP 2SK)

2.0M DIAMETER FLOAT

3.1m³ volume

ADDITIONAL CHARACTERISTICS

Net buoyancy (L)

2650

Draught (m)

1.0

Submergence (kg/cm)

32.2

Total height (m)

2.4

SWL (tons)

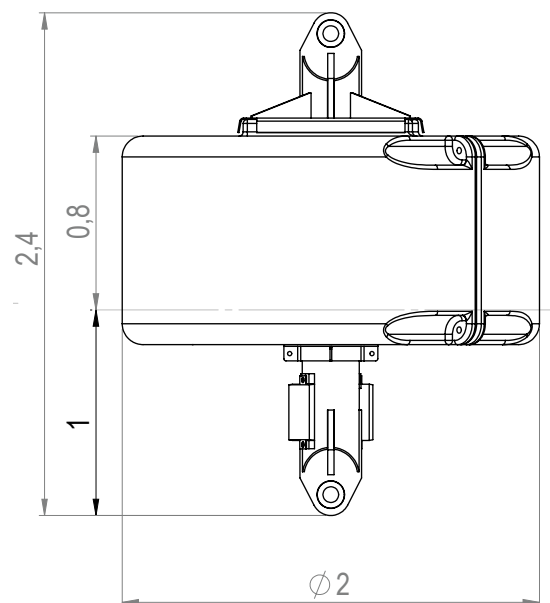
7.8 to 80

Configurations

«D»-link, «S»-Shakle,
«CT» Chain Through or «T»-Static T.

OPTIONS

Foaming with high density Polystyrene (EPS) or Polyurethane (PU)
Retro-reflective stripes
Identification/Marking with long life stickers
Hand rail
Rubber fender
LED lantern
Special Mark



MB-2000-S-60T