

# POLYETHYLENE BUOY

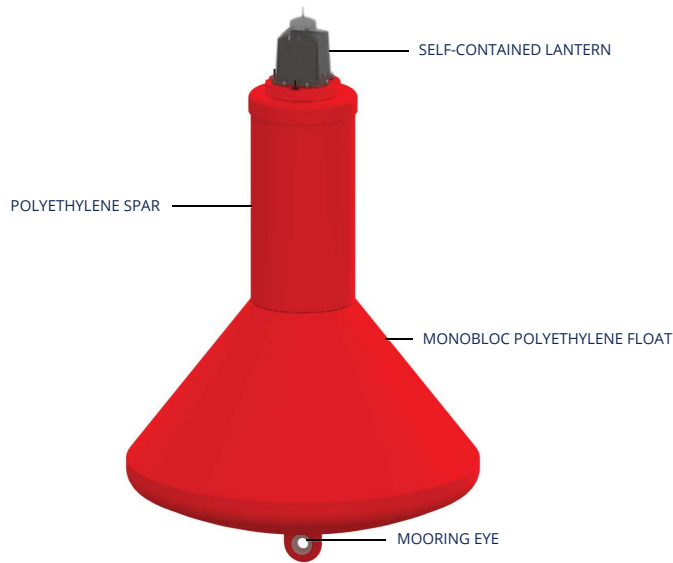
## GBP-900

**Diameter: 0.9 m Volume: 0.2 m<sup>3</sup>**  
**For proximity beaconing**

The GBP-900 buoy, entirely made of virgin polyethylene is suitable for works and proximity beaconing.

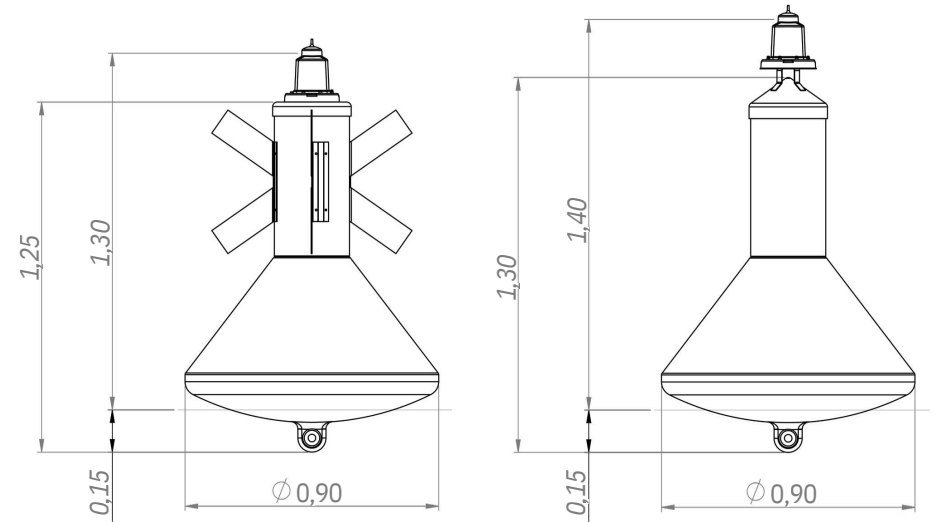
**Features:**

- Monobloc float in virgin polyethylene, UV stabilised and precompounded to reduce colour ageing, with standard wall thickness 7 mm
- Polyethylene spar
- Expanded polystyrene (EPS) foaming available as an option
- St Andrews cross for Special Mark available as an option



**GBP-900**

**Configuration examples:**



	<b>GBP-900</b>
<b>Diameter (m)</b>	0.9
<b>Volume (m<sup>3</sup>)</b>	0.2
<b>Total weight (kg)</b>	20
<b>Reserve buoyancy (m<sup>3</sup>)</b>	0.18
<b>Draught (m)</b>	0.15
<b>Focal plane (m)</b>	1.3 or 1.4 (with GSC-3)
<b>Overall height (m)</b>	1.3

Other configurations are available, please contact us at [contact@gisman.fr](mailto:contact@gisman.fr)

**Options available on request:**

- Expanded polystyrene (EPS) foaming
- Radar reflector
- Stickers & retro-reflective tape
- St Andrews cross (wings) for Special Mark

Management System approved by LRQA to standards ISO 9001:2015

