

POLYETHYLENE BUOY

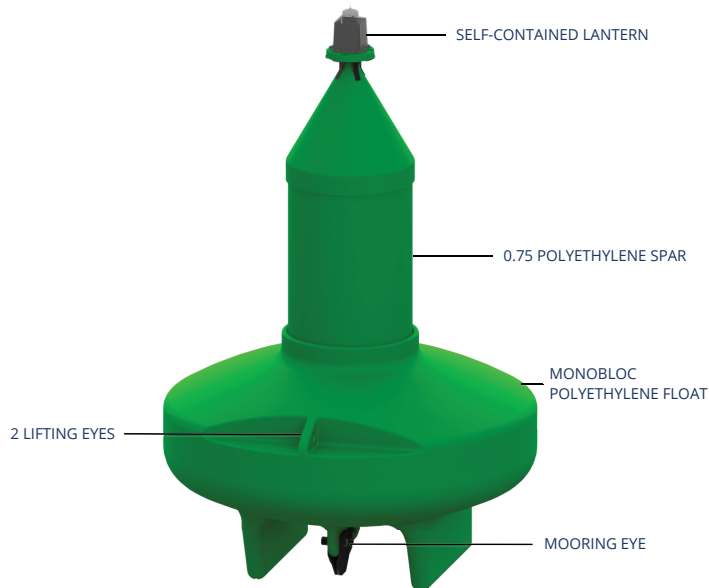
GBP-1500

Diameter: 1.5 m Volume: 0.8 m³
For inland waterways, shallow waters and fast current areas

The GBP-1500, entirely made of virgin polyethylene is suitable for river beaconing.

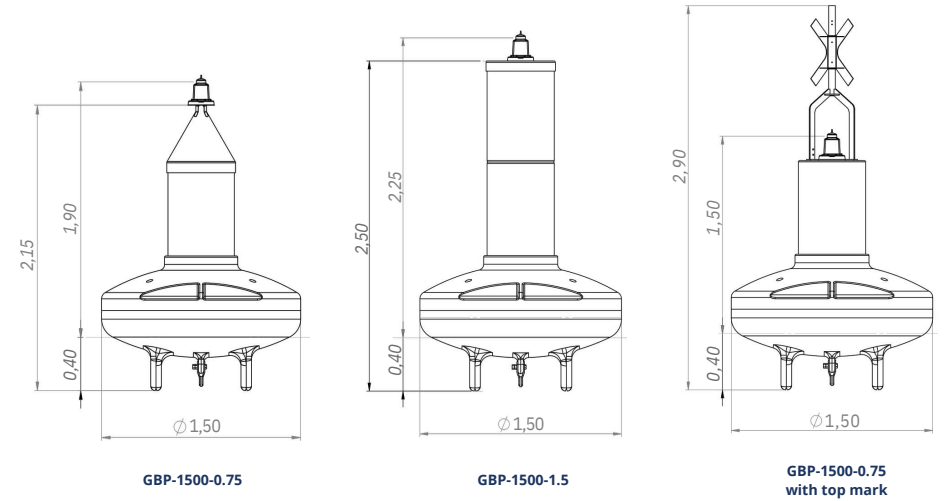
Features:

- Monobloc float in virgin polyethylene, UV stabilised and precompounded to reduce colour ageing, with standard wall thickness 8.5 mm and expanded polystyrene (EPS) foaming
- Twin keel design (ideal for fast current zones, up to 7 knots)
- Polyethylene spar: 0.75 high or 1.5m high depending on the required focal plane



GBP-1500-0.75

Configuration examples:



	GBP-1500-0.75	GBP-1500-1.5	GBP-1500-0.75 with top mark
Diameter (m)	1.5	1.5	1.5
Volume (m³)	0.8	0.8	0.8
Total weight (kg)	180	190	190
Reserve buoyancy (m³)	0.6	0.6	0.6
Draught (m)	0.40	0.40	0.40
Focal plane (m)	1.9 (with GSC-3)	2.25 (with GSC-3)	1.5 (with GSC-3)
Overall height (m)	2.15	2.50	2.90

Other configurations are available, please contact us at contact@gisman.fr

Options available on request:

- Echomax radar reflector
- Stickers & retro-reflective tape
- Top mark for version 0.75 only.

Management System approved by LRQA to standards ISO 9001:2015

